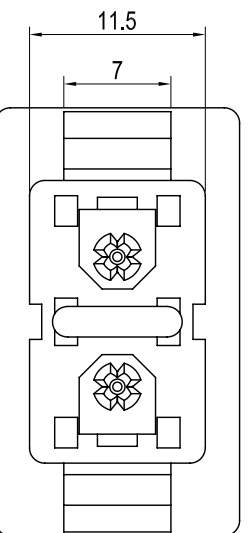
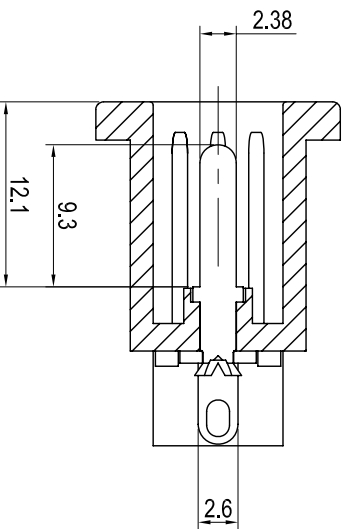
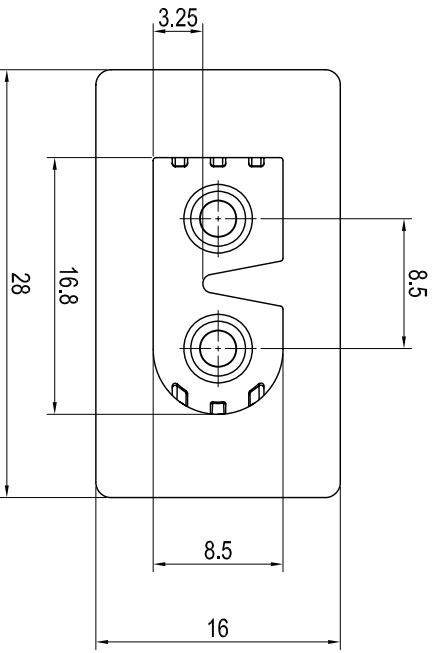


PANEL CUT-OUT



Rating : 2.5A 250VAC
 Insert And Extract Force : 1.5kgf ~ 5kgf
 Operating Life : ≥5000 cycles
 Terminal Strength : ≥80N
 Withstand Voltage : Between all terminals:
 2500VAC (50-60Hz) 1min
 Terminals to Base:
 3500V AC (50-60Hz) 1min
 Leakage Current : 20mA
 Insulation Resistance : ≥100MΩ 500V DC

UNIT单位: mm

COMMON TOLERANCE 普通公差	ISSUE版本	DATE日期	DESCRIPTIONS修改	APPD.核准	PRODUCT NAME 品名: C8 AC INLET	DWN. 绘制: 林欣丽	DATE日期: 2015.04.26
0~10 ±0.1; 10~20 ±0.2; 20~50 ±0.3; 50~ ±0.5;	A	2015/04/26			PART NO. 料号: HC-88-9AS3	CHK'D审核: <i>[Signature]</i>	DATE日期: 2015.04.26
					PRODUCT MODEL 型号: HC-88	APPD.核准: <i>[Signature]</i>	DATE日期: 2015.04.26
			SCALE比例: FREE		乐清市华琴电子有限公司 YUE QING HUACONN ELECTRONICS CO.,LTD		